

MANUAL DRIVE TRAIN & AXLE

REAR AXLE CUTAWAY

Model: MEGART11200

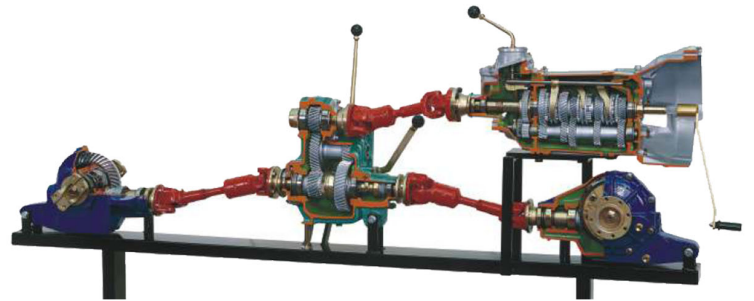
Rigid rear axle complete with differential unit, axle shafts and rear drum brakes. Carefully sectioned to show the operation of the differential unit where planetary gears, the ring gear and the pinion are clearly displayed. A brake drum and a cylinder are sectioned.



4X4 VEHICLE TRANSMISSION ASSEMBLY

Model: MEGART11300

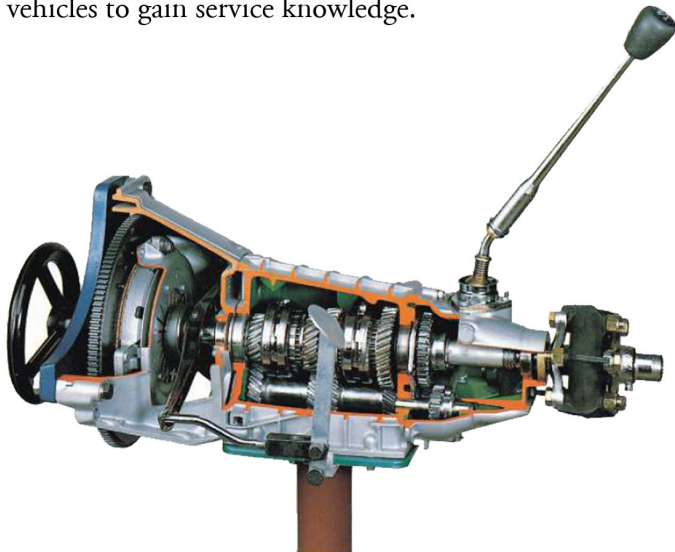
Transmission assembly fitted to most 4x4 cross-country vehicles. The various parts are supplied as accurate cutaway models, connected together to show their operation in an easy, immediately understandable manner.



SPEED GEAR WITH CLUTCH 4 FORWARD SPEEDS + REVERSE

Model: MEGART11020

This trainer provides the school with a workstation where the student can study all the components, use the trainers, utilize audio visuals and follow the competency based courseware. With this type of knowledge and preliminary hands-on activities, the student can proceed to work on live vehicles to gain service knowledge.



SPEED GEAR WITH CLUTCH

Model: MEGART11030

Complete with 5 forward speeds and reverse. As part of the ASE specialization, Megatech makes these cutaways available based on different models. A combination of cross-sectional cutaways, as fabricated by Megatech, and well selected audio-visuals make teaching an easier task.

